

<b>DOCUMENT No:</b> ICA-H160-2164-1	<b>Rev:</b> 2
<b>TITLE :</b> 整備手順書「FLYABLE SEAT COVER」  Instruction for Continued Airworthiness “FLYABLE SEAT COVER”	
<b>MODEL :</b> AHJ 式 H16M-25-A4022 型 (追加型式設計) AHJ, H16M-25-A4022 (STC design)	

Category	Name	Signature/Date	Department
Prepared by SDR	Yuya KITAHAMA		OED
Checked by TVE	Yuichiro INOUE		OED
Approved by CVE for Section E Illustrated Parts Catalogue	Hiroataka INOUE		OED
Approved by CQE	Hisakazu INOUE		OEA

### Revision Table

Revision		Date	Reason of Revision
REV.	0	2025.11.14	Draft Issue (ORG Draft)
REV.	1	2025.12.17	Original issue 変更点は以下の通り <ul style="list-style-type: none"> <li>- 発行日の記入</li> <li>- SECTION C 1.2. 標識を隠す旨の説明分を削除 (Page 9)</li> <li>- SECTION C 2.1. 取付時に標識を隠す処置に関する指示などを追加 (Page 10,11)</li> <li>- 上の文章の追加に伴う総ページ数の変更 (Page 1-17)</li> </ul>
REV.	2	---	Original issue 変更点は以下の通り <ul style="list-style-type: none"> <li>- SECTION F に EC175 CMM を追加、また、Note の追加 (Page.17)</li> </ul>

## FLYABLE SEAT COVER

AHJ 式 H16M-25-A4022 型

AHJ, H16M-25-A4022

整備手順書

(Instructions for Continued Airworthiness)

ICA-H160-2164-1

### REVISION TABLE

Revision		Date	Reason of Revision
REV.	ORG	2025.12.15	Original Issue
REV.			

### LIST OF EFFECTIVE PAGES

<u>Pages</u>	<u>Revision No</u>
1	Revision ORG
2	Revision ORG
3	Revision ORG
4	Revision ORG
5	Revision ORG
6	Revision ORG
7	Revision ORG
8	Revision ORG
9	Revision ORG
10	Revision ORG
11	Revision ORG
12	Revision ORG
13	Revision ORG
14	Revision ORG
15	Revision ORG
16	Revision ORG
17	Revision ORG

DOCUMENT No : ICA-H160-2164-1	Revision ORG	PAGE 1 / 17
-------------------------------	--------------	-------------

### CONTENTS

	<u>Pages</u>
REVISION TABLE.....	1
LIST OF EFFECTIVE PAGES .....	1
CONTENTS .....	2
INTRODUCTION.....	3
1. EFFECTIVITY.....	3
2. SCOPE .....	3
3. PURPOSE .....	3
4. PRECAUTIONS.....	3
5. DISTRIBUTION .....	3
SECTION A: AIRWORTHINESS LIMITATIONS .....	4
SECTION B: INSPECTION SCHEDULE AND MAINTENANCE CHECKS.....	5
1. INSPECTION REQUIREMENTS.....	5
2. COMPONENT OVERHAUL SCHEDULE.....	8
SECTION C: MAINTENANCE PROCEDURES.....	9
1. DESCRIPTION AND MAINTENANCE DATA .....	9
1.1 WEIGHT & MOMENT ARM.....	9
1.2 PLACARDS AND MARKINGS .....	9
2. MAINTENANCE DATA.....	10
2.1 REMOVAL/ INSTALLATION .....	10
2.2 SYSTEM TEST.....	14
2.3 TROUBLESHOOTING .....	14
SECTION D: WIRING DIAGRAM .....	15
SECTION E: ILLUSTRATED PARTS AND TOOLS CATALOGUE.....	16
1. GENERAL PARTS LIST .....	16
2. COMMERCIAL PARTS LIST.....	16
3. MILITARY PARTS LIST .....	16
4. TOOLS LIST .....	16
SECTION F: COMPONENT MAINTENANCE MANUALS .....	17

### INTRODUCTION

本 Instruction for Continued Airworthiness (ICA) は、エアバス・ヘリコプターズ式 H160-B 型機に装備する AHJ 式 H16M-25-A4022 型「FLYABLE SEAT COVER」について耐空性を継続するためのものである。

This Instruction for Continued Airworthiness (ICA) is for maintaining airworthiness of AHJ, H16M-25-A4022 "FLYABLE SEAT COVER" installed on Airbus Helicopters model H160-B helicopters.

#### 1. EFFECTIVITY

AHJ 式 H16M-25-A4022 型「FLYABLE SEAT COVER」を装備した H160-B 型機に適用する。

This ICA applies to H160-B helicopters equipped with AHJ, H16M-25-A4022 "FLYABLE SEAT COVER".

#### 2. SCOPE

本 ICA は「FLYABLE SEAT COVER」について耐空性を継続するためのものであり、点検整備について指示する。

This ICA is intended to ensure the continued airworthiness of the "FLYABLE SEAT COVER" and provides the instructions for inspection and maintenance.

#### 3. PURPOSE

本 ICA は、この装置を装備している間の耐空性を継続するために必要な情報を航空機の所有者に通知するものである。

This ICA informs aircraft owners of the information required to continue airworthiness while equipped with this equipment.

#### 4. PRECAUTIONS

非該当

Not applicable

#### 5. DISTRIBUTION

本 ICA に改訂が発生した場合、エアバス・ヘリコプターズ・ジャパンは所有者に通知を行う。所有者は航空機の所有者に変更のあった場合はエアバス・ヘリコプターズ・ジャパンに通知すること。

In the event of any revision to this ICA, Airbus Helicopters Japan will notify the owner of the aircraft and the owner shall notify Airbus Helicopters Japan of any change in ownership of the aircraft.

DOCUMENT No : ICA-H160-2164-1	Revision ORG	PAGE 3 / 17
-------------------------------	--------------	-------------

## SECTION A AIRWORTHINESS LIMITATIONS

非該当  
Not applicable

### SECTION B INSPECTION SCHEDULE AND MAINTENANCE CHECKS

#### 1. INSPECTION REQUIREMENTS

##### 1.1. 点検整備 Inspection and Maintenance

###### 1.1.1. 飛行前点検 Pre-Flight Inspection

###### A) 外観点検及び取付状態点検 Visual inspection and Installation condition inspection

外観及び取付状態に不具合が無いことを点検する。

取付状態については、特に PASSENGER SEAT COVER 下部の CORD STOP での紐の締め付けが確実なこと、CORD STOP の後ろの SLIP KNOT が解けていないことを確認する。

また、使用しない座席の HARNESS(シートベルト)はロック状態(シートベルトを締めた状態)にする。

Inspect the visible appearance and installation condition of the PASSENGER SEAT COVER for any defects. Regarding the installation condition, especially ensure that the cord is securely fastened at the cord stop at the bottom of the PASSENGER SEAT COVER and that the slip knot behind the cord stop has not loosened.

The harness of any unoccupied seats must be fastened.

### 1.2. 定時点検 Scheduled Inspections

点検項目 Inspection Item	対象不具合 Defect Type	点検間隔 Inspection interval	作業者 Worker	確認 Check
<p>1. PASSENGER SEAT COVER [H16M-25-A705-1] (CABIN)</p> <p>1) PASSENGER SEAT COVER の状態 特に CORD STOP および紐の状態</p> <p>1) PASSENGER SEAT COVER : Condition In particular, check the condition of the cord stop and cord.</p>	<p>破れ 欠損 劣化 弛み 擦傷</p> <p>Tearing Missing Degradation Looseness Chafing</p>	<p>1ヶ年毎 または 600 FH</p> <p>1-year Inspection or 600 FH</p>		
<p>2. MARKING</p> <p>SECTION C, 1.2. 項に示す MARKING が所定の位置に 貼り付けられていること、及び 判読可能な状態であることを 確認する。 (LIFE VEST を装備しない場合は、乗員の間違いを防ぐため 標識を隠す、除去するなどの処置を行う必要がある。この処 置をしている場合、本項目は N/A とする)</p> <p>Inspect that the MARKING in SECTION C, 1.2. is affixed in place, not missing and is legible. (When the life vest is not equipped, measures such as concealing or removing the marking shall be taken to prevent passenger error. if this is done, this item is N/A)</p>	<p>破れ 欠損 劣化</p> <p>Tear Scratch Deterioration</p>	<p>1ヶ年毎 または 600 FH</p> <p>1-year Inspection or 600 FH</p>		

NOTE:

1. 点検間隔は、機体のメンテナンス・スケジュールに合わせ、先に達する間隔とする。
2. 特に指示がない場合は、ON CONDITION とし、外観目視点検を実施すること。
1. The inspection interval shall be the interval reached first, in accordance with the maintenance schedule of the aircraft.
2. Unless otherwise instructed, to be handled as ON CONDITION and to be visually inspected on the appearance.

不具合発生時のお問い合わせは、  
エアバス・ヘリコプターズ・ジャパン株式会社  
営業本部 カスタマーサポート部までご連絡願います。  
〒106-6119 東京都港区六本木 6 丁目 10 番 1 号  
六本木ヒルズ森タワー19 階  
TEL: 03-5414-3339  
MAIL: list.dl\_contact-ahj-support.ahj@airbus.com

In case of trouble,  
Please contact Customer Support, Commercial Division  
Airbus Helicopters Japan Co., Ltd.  
6-10-1 Roppongi, Minato-ku, Tokyo, Japan  
Roppongi Hills Mori Tower 19F  
TEL: +81 (0)3-5414-3339  
MAIL: list.dl\_contact-ahj-support.ahj@airbus.com

### 2. COMPONENT OVERHAUL SCHEDULE

非該当

Not applicable

### SECTION C MAINTENANCE PROCEDURES

#### 1. DESCRIPTION AND MAINTENANCE DATA

##### 1.1. WEIGHT & MOMENT ARM

DESCRIPTION [PARTS No.]	WEIGHT	LONGITUDINAL		LATERAL;RH(+),LH(-)	
		ARM	MOMENT	ARM	MOMENT
	(Kg)	(m)	(m.Kg)	(m)	(m.Kg)
<b>FLYABLE SEAT COVER</b>					
INSTL.- PASSENGER SEAT COVER [H16M-25-A705-1] (12 PASSENGER SEAT COVERS installed)	10.44	4.77	49.80	0.00	0.00
↳PASSENGER SEAT COVER [M252A60C1001] (WEIGHT and ARM of one PASSENGER SEAT COVER)	[0.87]	(*1)	---	(*1)	---

\*1: The longitudinal and lateral arm of each PASSENGER SEAT COVER is the same as that of each passenger seat.  
各 PASSENGER SEAT COVER の LONGITUDINAL / LATERAL ARM は各 PASSENGER SEAT と同じである。

##### 1.2. PLACARDS AND MARKINGS

<各 PASSENGER SEAT COVER 上>  
<On each PASSENGER SEAT COVER>

LIFE VEST UNDER SEAT

## 2. MAINTENANCE DATA

### 2.1. REMOVAL / INSTALLATION

#### 2.1.1. PASSENGER SEAT COVER [H16M-25-A705-1]

(See Fig.1,2)

##### (1) 取外し

- ① PASSENGER SEAT COVER の下面にて固定している SEAT COVER の紐の CORD STOP を解除する。
- ② PASSENGER SEAT の下部の HARNESS を下側トンネル部 (Fig.1, item 2) から引き抜く。
- ③ PASSENGER SEAT の上部の HARNESS を上側トンネル部 (Fig.1, item 1) から引き抜く。
- ④ PASSENGER SEAT COVER を取外す。

##### **注意:**

**SEAT の HARNESS を取外す(引き抜く)際に、PASSENGER SEAT COVER を損傷しないよう注意すること。**

##### (2) 取付け

- ① PASSENGER SEAT COVER を PASSENGER SEAT に取付ける。
- ② PASSENGER SEAT の HARNESS の上部 STRAP を SEAT COVER の上部開口部 (Fig.1, item 1) に通す。
- ③ PASSENGER SEAT の HARNESS の下部 STRAP を SEAT COVER の下部開口部 (Fig.1, item 2) に通す。
- ④ PASSENGER SEAT COVER の下面の紐を調整して SEAT COVER の下部を閉じる。
- ⑤ CORD STOP で紐を固定する。
- ⑥ CORD STOP の後ろで SLIP KNOT を作る。(Fig.2 参照)

##### **注意:**

**PASSENGER SEAT 下の収納スペースに LIFE VEST を装備しない場合は、乗員の間違いを防ぐため PASSENGER SEAT COVER 上の標識 “LIFE VEST UNDER SEAT” を隠す、または除去するなどの処置を行うこと。 標識を隠す場合は 3M Glass Cloth Tape 398FR (または、FAR 25.853(a)Appendix F Part I(a)(1)(ii)の難燃性の要件を満たすテープ) を使用すること。**

**PASSENGER SEAT 下の収納スペースに LIFE VEST を装備する場合は、PASSENGER SEAT COVER 上の標識 “LIFE VEST UNDER SEAT” が目視できるように、標識を隠すためのテープが貼り付けてある場合はテープを取り除くこと。**

##### (1) Removal

- ① Release the cord stop of the bottom closure cover cord.
- ② Extract the harness from the bottom tunnels (Fig.1, item 2).
- ③ Extract the harness from the high tunnels (Fig.1, item 1).
- ④ Remove the PASSENGER SEAT COVER.

##### **CAUTION:**

**MAKE SURE NOT TO DAMAGE THE SEAT COVER WHEN YOU REMOVE THE HARNESS.**

DOCUMENT No : ICA-H160-2164-1	Revision ORG	PAGE 10 / 17
-------------------------------	--------------	--------------

Airbus Helicopters Japan Co., Ltd.

Form No. 51-07B03-03B, 2022/03/28

JP\_EC\_Not Listed

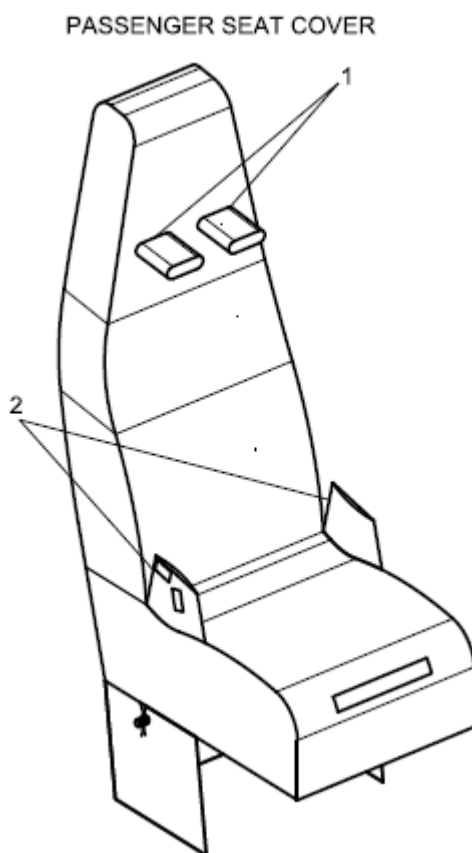
(2) Installation

- ① Install the PASSENGER SEAT COVER on the seat.
- ② Engage the top straps of the harness through the openings (Fig.1, item 1).
- ③ Engage the lower straps of the harness through the openings (Fig.1, item 2).
- ④ Close the lower part of the cover by adjusting the cord.
- ⑤ Lock the cord with the cord stop.
- ⑥ Make a slip knot behind the cord stop. (see Fig.2)

**CAUTION:**

**When the life vest is not equipped in the storage space under the passenger seat, measures such as concealing or removing the marking "LIFE VEST UNDER SEAT" shall be taken to prevent passenger error. When concealing the marking, use 3M Glass Cloth Tape 398FR (or tape meeting the flame retardancy requirements of FAR 25.853(a)Appendix F Part I(a)(1)(ii)).**

**When the life vest is equipped in the storage space under the passenger seat, if tape has been applied to conceal the marking "LIFE VEST UNDER SEAT" on the PASSENGER SEAT COVER, remove the tape to ensure the marking remains visible.**



使用しない座席の HARNESS(シートベルト)はロック状態(シートベルトを締めた状態)にすること。  
The harness of any unoccupied seats must be fastened.

Fig.1 PASSENGER SEAT COVER

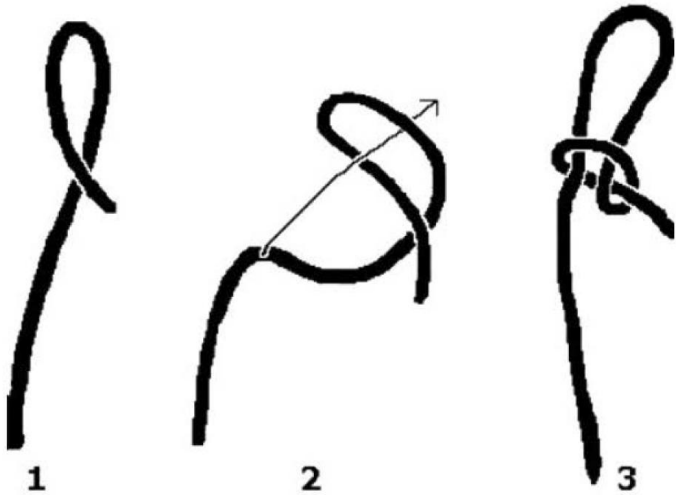


Fig.2 Slip knot

### 2.2. SYSTEM TEST

非該当

Not applicable

### 2.3. TROUBLESHOOTING

非該当

Not applicable

## SECTION D WIRING DIAGRAM

非該当  
Not applicable

DOCUMENT No : ICA-H160-2164-1	Revision ORG	PAGE 15 / 17
-------------------------------	--------------	--------------

## SECTION E ILLUSTRATED PARTS AND TOOLS CATALOGUE

### 1. GENERAL PARTS LIST

INSTL – PASSENGER SEAT COVER [H16M-25-A4022-1]

NOMEN.	PART No.	Manufacturer	Remark
INSTL – PASSENGER SEAT COVER [H16M-25-A705-1]			
PASSENGER SEAT COVER	M252A60C1001	Airbus Helicopters (SAFRAN Aero systems)	EC175 IPC 25-26-00-02

### 2. COMMERCIAL PARTS LIST

非該当

Not applicable

### 3. MILITARY PARTS LIST

非該当

Not applicable

### 4. TOOLS LIST

非該当

Not applicable

### SECTION F COMPONENT MAINTENANCE MANUALS

Description	Vender	Manual No.
COMPONENT MAINTENANCE MANUAL WITH ILLUSTRATED PARTS LIST DRIP TRAY PART NUMBER 226850-0 226851-0	Airbus Helicopters (SAFRAN Aero systems)	EC175 CMM 25-68-48

#### Notes

- PASSENGER SEAT COVER [M252A60C1001] is managed by the manufacturer, SAFRAN Aero systems, under manufacturer part number '226829-0'.  
 The PASSENGER SEAT COVER [M252A60C1001(226829-0)] is part of the DRIP TRAY KIT for the EC175, and CMM 25-68-48 is the Component Maintenance Manual for the DRIP TRAY KIT.  
 Note that within CMM 25-68-48, The PASSENGER SEAT COVER is referenced by its manufacturer part number, '226829-0'.
- All vendor equipment manuals may not be listed (such as copyright issues, manuals calling on other manuals) in this section, hence, please contact and obtain from the vendor directly.
- As all data contained in the vendor manuals is managed by the vendor, please contact the vendor directly if there are any questions about the manual.